

<ART-019-0>

SERVICE MANUAL

STEREO HEADPHONES

SE-205

SE-405

<73F02M01K>

 **PIONEER®**

1. SE-205

SPECIFICATIONS

Speaker	70φmm (3 in.) dynamic speaker
Impedance	8Ω
Matching impedance	4 to 16Ω
Frequency response	20 to 20,000Hz
Sound pressure level	115dB/0.3V
Maximum input	500mW (each channel)
Cord length	2.5m (8.3feet), with 3-P plug
Weight	450g (16 oz), less cord



NOTE:

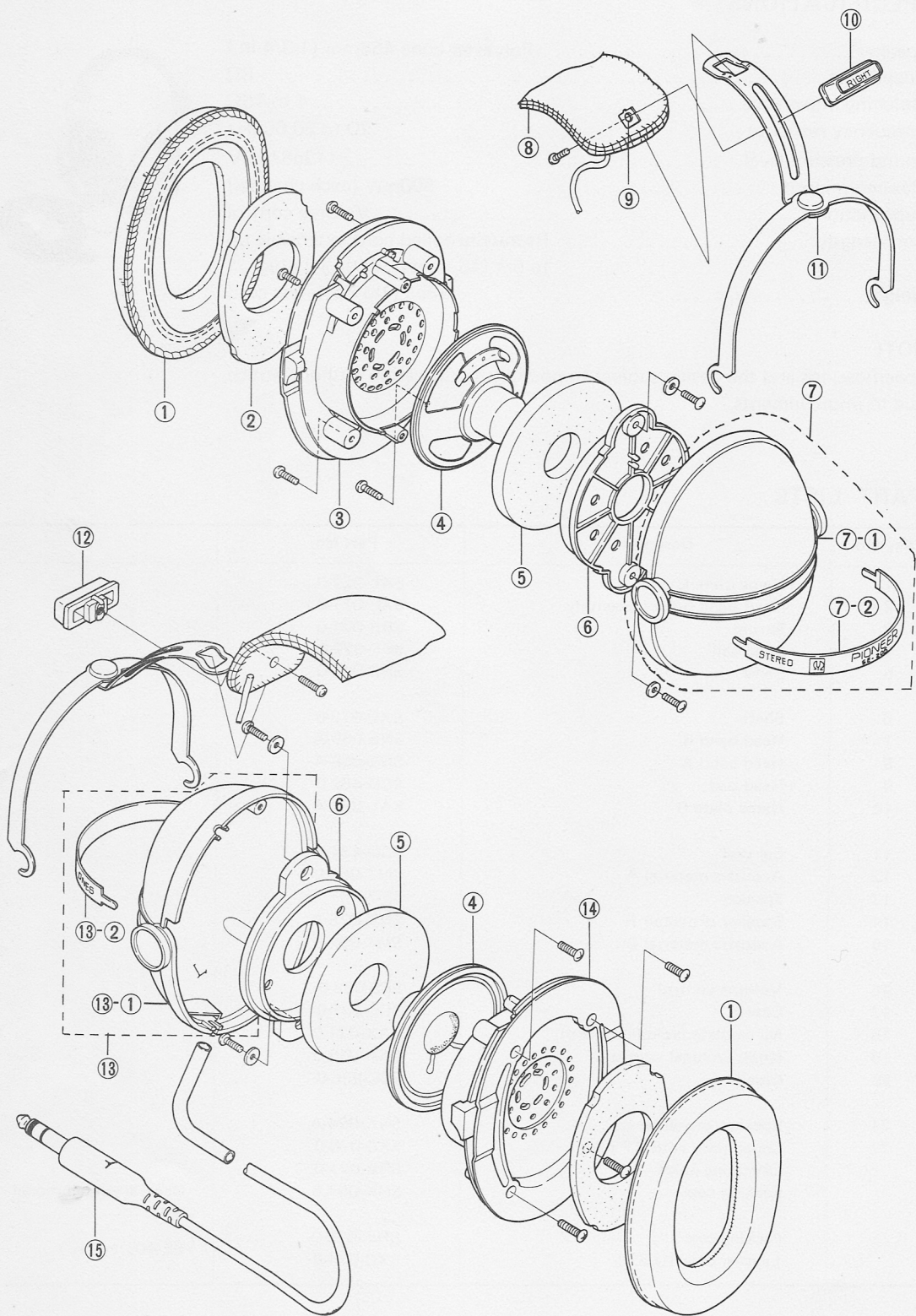
Specifications and the design subject to possible modification without notice due to improvements.

PART LISTS

NOTICE:

Any parts asterisked (*) are subject to being not supplied.

Key No.	Description	Part No.
1	Ear pad	SCD-456-0
2	Acoustic material A	SMT-094-0
3	Speaker protector R	SNK-094-0
4	Speaker	70-21F
5	Acoustic material B	SMT-093-0
6	Speaker mounting board	SNK-097-0
7	Case R assembly	SXC-091-0
7-1*	Case R	SNK-096-0
7-2	Name plate	SNB-080-0
8	Head pad	SCD-457-0
9	Head band A	SNB-790-0
10	Slide knob R	SXC-089-A
11	Head band B	SNB-078-0
12	Slide knob L	SXC-092-0
13	Case L assembly	SXC-088-0
13-1*	Case L	SNK-095-0
13-2	Name plate	SNB-080-0
14	Speaker protector L	SNK-093-0
15	Cord with 3-P plug	SXC-090-0
	Operating guide	SRB-070-0
	Packing case	SHK-130-0



2. SE-405

SPECIFICATIONS

Speaker	Polyester cone 45 ϕ mm (1-3/4 in.)
Impedance	8 Ω
Matching impedance	4 to 16 Ω
Frequency response	20 to 20,000Hz
Sound pressure level	113dB/0.3V
Maximum input	500mW (each channel)
Subfunction	Volume control
Cord length	Retractable coiled cord extensible up to 5m (16.4 feet), with 3-P plug
Weight495g (1lb 1oz), less cord



NOTE:

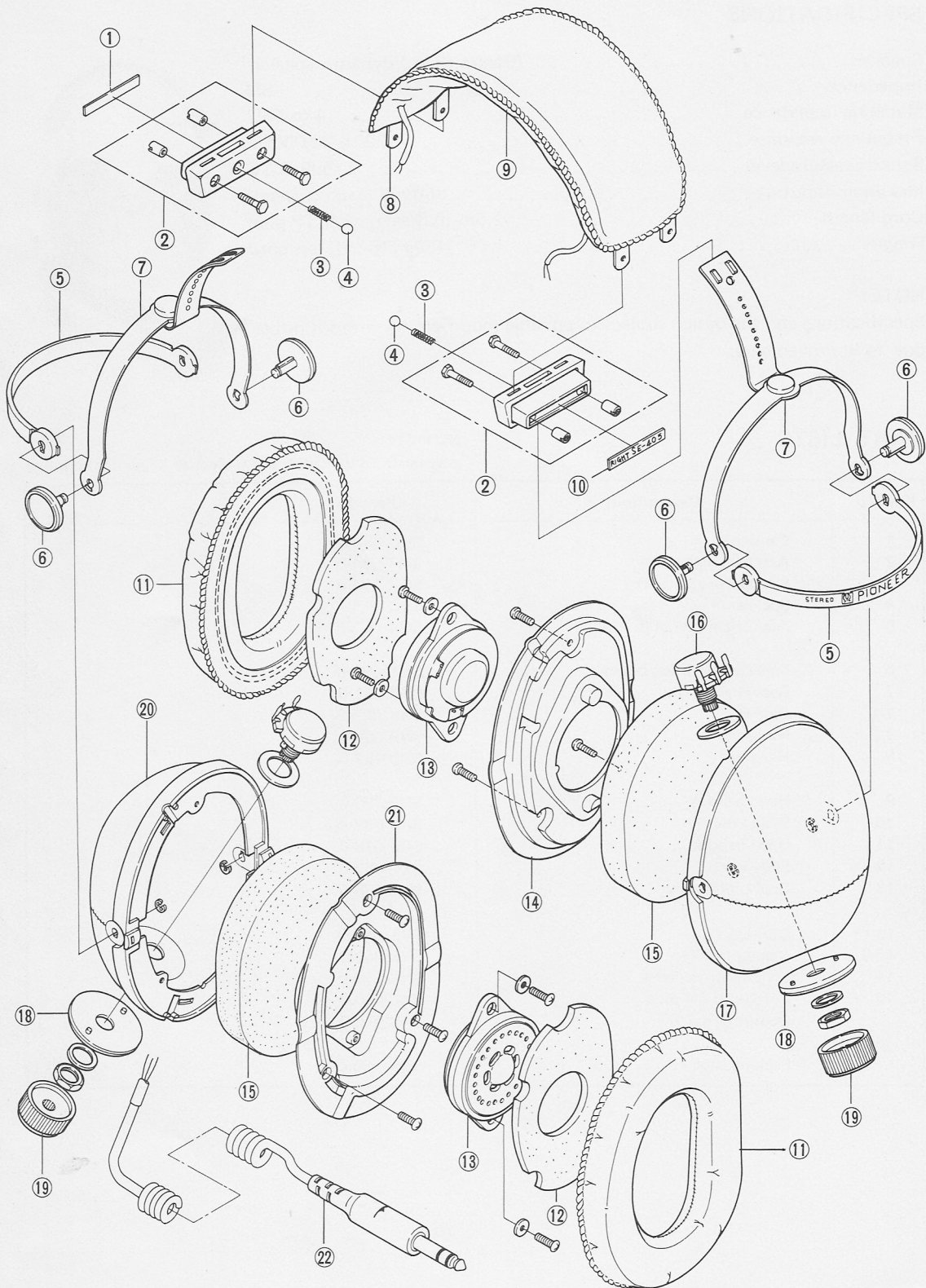
Specifications and the design subject to possible modification without notice due to improvements.

PART LISTS

Key No.	Description	Part No.	
1	Name plate L	SAL-322-0	
2	Head band holder assembly	SXC-077-0	
3	Spring	SBH-001-0	
4	Steel ball	SEF-022-0	
5	Band	SNB-060-0	
6	Shaft	SXC-073-0	
7	Head band B	SNB-059-A	
8	Head band A	SNB-058-A	
9	Head pad	SCD-462-0	
10	Name plate R	SAL-322-A	
11	Ear pad	SCD-431-A	
12	Acoustic material A	SMT-060-0	
13	Speaker	45-702F	
14	Speaker protector R	SNK-075-A	
15	Acoustic material B	SMT-092-0	
16	Volume control	SCS-003-0	
17	Case R	SCC-237-0	
18	Name plate (volume control)	SAX-021-0	
19	Knob (volume control)	SAA-013-0	
20	Case L	SCC-236-0	
21	Speaker protector L	SNK-074-A	
22	Coiled cord with 3-P plug	SXC-078-0	
	Operating guide	SRB-071-0	
	Packing case	SHK-097-B	
	Packing case	SHG-015-0	} SE-405/up only
	Leather case (U.S.P)	SXC-076-0	

General export model only

} SE-405/up only



PIONEER ELECTRONIC CORPORATION

15-5, 4-Chome, Ohmori-nishi, Ohta-ku, Tokyo, Japan

U.S. PIONEER ELECTRONICS CORPORATION

178 Commerce Road, Carlstadt New Jersey 07072 U.S.A.

PIONEER ELECTRONIC (EUROPE) N.V.

Meir-center, Meir 21, 2000 Antwerp, Belgium